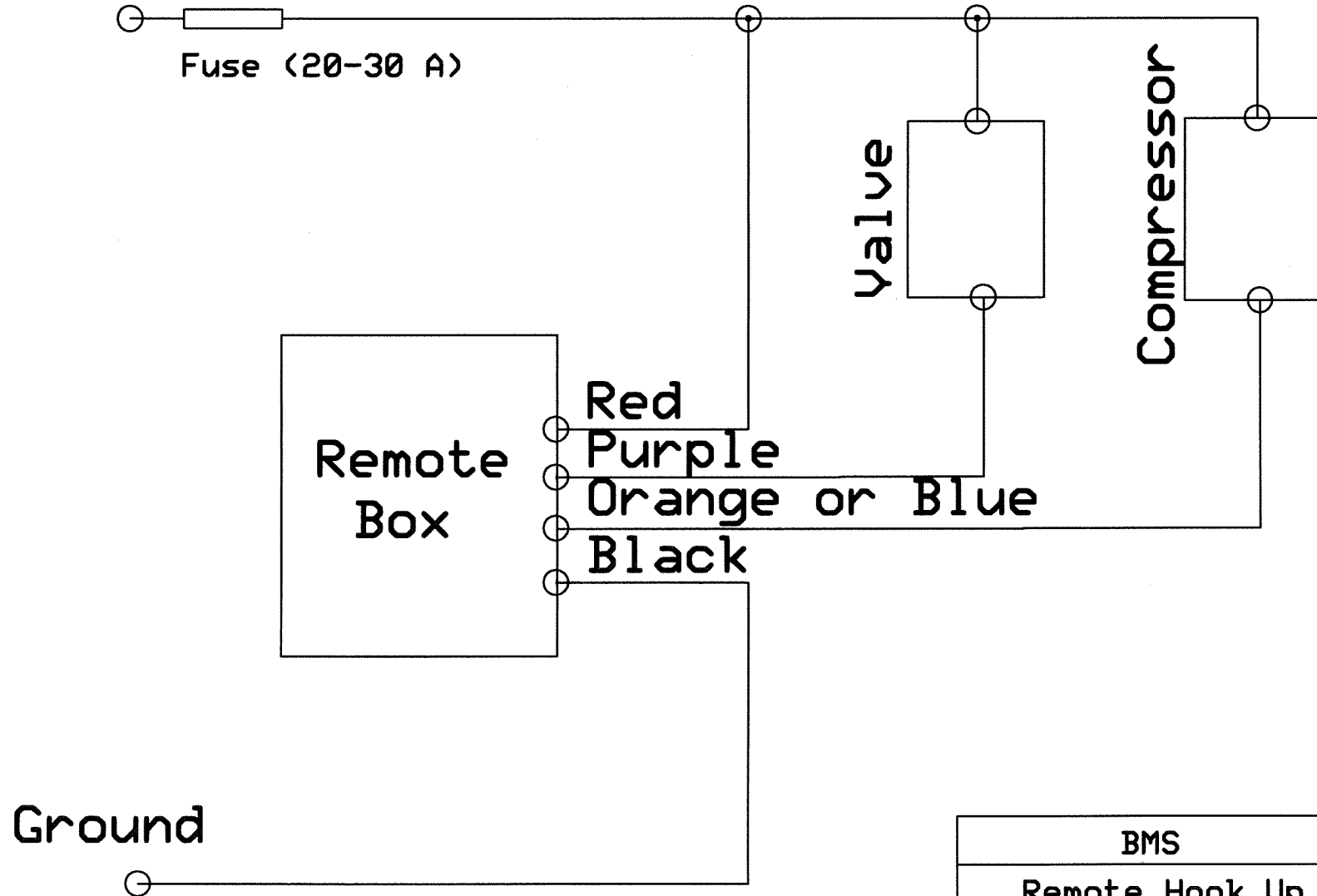


Recommended hook up diagram for remote controller

+ 12 V IN

Fuse (20-30 A)



BMS		
Remote Hook Up Diagram		
Nick	Rev 1.0	Page # or name
	3/3/2008	